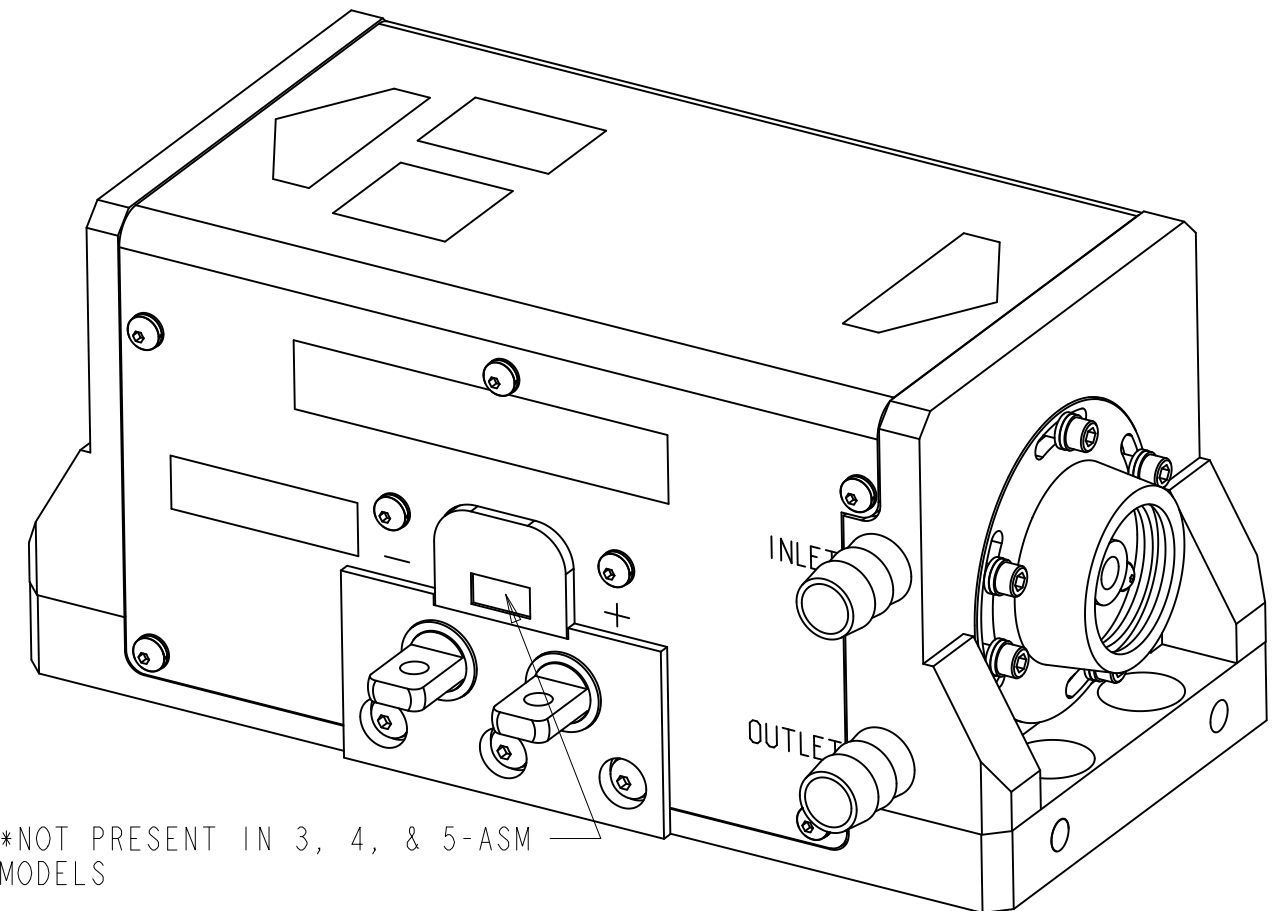


MODEL	ROD SIZE	# OF ASM'S PER HEX	PUMP SCHEME	BEAM HT.	OVERALL HT.	FOOTPRINT (L x W)
REA4003	4.00MM DIA. X 96MM LG.	3 *	5 @ 72°	1.50"(38.1MM)	3.06" (77.72MM)	4.54" X 3.06" (115.8MM X 77.7MM)
REA4004	4.00MM DIA. X 106MM LG.	4 *	5 @ 72°	1.50"(38.1MM)	3.06" (77.72MM)	4.94" X 3.06" (125.8MM X 77.7MM)
REA4005	4.00MM DIA. X 116MM LG.	5 *	5 @ 72°	1.50"(38.1MM)	3.06" (77.72MM)	5.34" X 3.06" (135.8MM X 77.7MM)
REA4006	4.00MM DIA. X 126MM LG.	6	5 @ 72°	1.50"(38.1MM)	3.06" (77.72MM)	5.74" X 3.06" (145.8MM X 77.7MM)
REA4008	4.00MM DIA. X 146MM LG.	8	5 @ 72°	1.50"(38.1MM)	3.06" (77.72MM)	6.57" X 3.06" (166.9MM X 77.7MM)
REA5003	5.00MM DIA. X 96MM LG.	3 *	5 @ 72°	1.50"(38.1MM)	3.06" (77.72MM)	4.54" X 3.06" (115.8MM X 77.7MM)
REA5004	5.00MM DIA. X 106MM LG.	4 *	5 @ 72°	1.50"(38.1MM)	3.06" (77.72MM)	4.94" X 3.06" (125.8MM X 77.7MM)
REA5005	5.00MM DIA. X 116MM LG.	5 *	5 @ 72°	1.50"(38.1MM)	3.06" (77.72MM)	5.34" X 3.06" (135.8MM X 77.7MM)
REA5006	5.00MM DIA. X 126MM LG.	6	5 @ 72°	1.50"(38.1MM)	3.06" (77.72MM)	5.74" X 3.06" (145.8MM X 77.7MM)
REA5008	5.00MM DIA. X 146MM LG.	8	5 @ 72°	1.50"(38.1MM)	3.06" (77.72MM)	6.57" X 3.06" (166.9MM X 77.7MM)
REA5010	5.00MM DIA. X 167MM LG.	10	5 @ 72°	1.50"(38.1MM)	3.06" (77.72MM)	7.40" X 3.06" (188MM X 77.7MM)
REA5012	5.00MM DIA. X 188MM LG.	12	5 @ 72°	1.50"(38.1MM)	3.06" (77.72MM)	8.23" X 3.06" (209MM X 77.7MM)
REA6303	6.35MM DIA. X 96MM LG.	3 *	5 @ 72°	1.50"(38.1MM)	3.06" (77.72MM)	4.54" X 3.06" (115.8MM X 77.7MM)
REA6304	6.35MM DIA. X 106MM LG.	4 *	5 @ 72°	1.50"(38.1MM)	3.06" (77.72MM)	4.94" X 3.06" (125.8MM X 77.7MM)
REA6305	6.35MM DIA. X 116MM LG.	5 *	5 @ 72°	1.50"(38.1MM)	3.06" (77.72MM)	5.34" X 3.06" (135.8MM X 77.7MM)
REA6306	6.35MM DIA. X 126MM LG.	6	5 @ 72°	1.50"(38.1MM)	3.06" (77.72MM)	5.74" X 3.06" (145.8MM X 77.7MM)
REA6308	6.35MM DIA. X 146MM LG.	8	5 @ 72°	1.50"(38.1MM)	3.06" (77.72MM)	6.57" X 3.06" (166.9MM X 77.7MM)
REA6310	6.35MM DIA. X 167MM LG.	10	5 @ 72°	1.50"(38.1MM)	3.06" (77.72MM)	7.40" X 3.06" (188MM X 77.7MM)
REA6312	6.35MM DIA. X 188MM LG.	12	5 @ 72°	1.50"(38.1MM)	3.06" (77.72MM)	8.23" X 3.06" (209MM X 77.7MM)
REA7003	7.00MM DIA. X 96MM LG.	3 *	5 @ 72°	1.50"(38.1MM)	3.06" (77.72MM)	4.54" X 3.06" (115.8MM X 77.7MM)
REA7004	7.00MM DIA. X 106MM LG.	4 *	5 @ 72°	1.50"(38.1MM)	3.06" (77.72MM)	4.94" X 3.06" (125.8MM X 77.7MM)
REA7005	7.00MM DIA. X 116MM LG.	5 *	5 @ 72°	1.50"(38.1MM)	3.06" (77.72MM)	5.34" X 3.06" (135.8MM X 77.7MM)
REA7006	7.00MM DIA. X 126MM LG.	6	5 @ 72°	1.50"(38.1MM)	3.06" (77.72MM)	5.74" X 3.06" (145.8MM X 77.7MM)
REA7008	7.00MM DIA. X 146MM LG.	8	5 @ 72°	1.50"(38.1MM)	3.06" (77.72MM)	6.57" X 3.06" (166.9MM X 77.7MM)
REA7010	7.00MM DIA. X 167MM LG.	10	5 @ 72°	1.50"(38.1MM)	3.06" (77.72MM)	7.40" X 3.06" (188MM X 77.7MM)
REA7012	7.00MM DIA. X 188MM LG.	12	5 @ 72°	1.50"(38.1MM)	3.06" (77.72MM)	8.23" X 3.06" (209MM X 77.7MM)

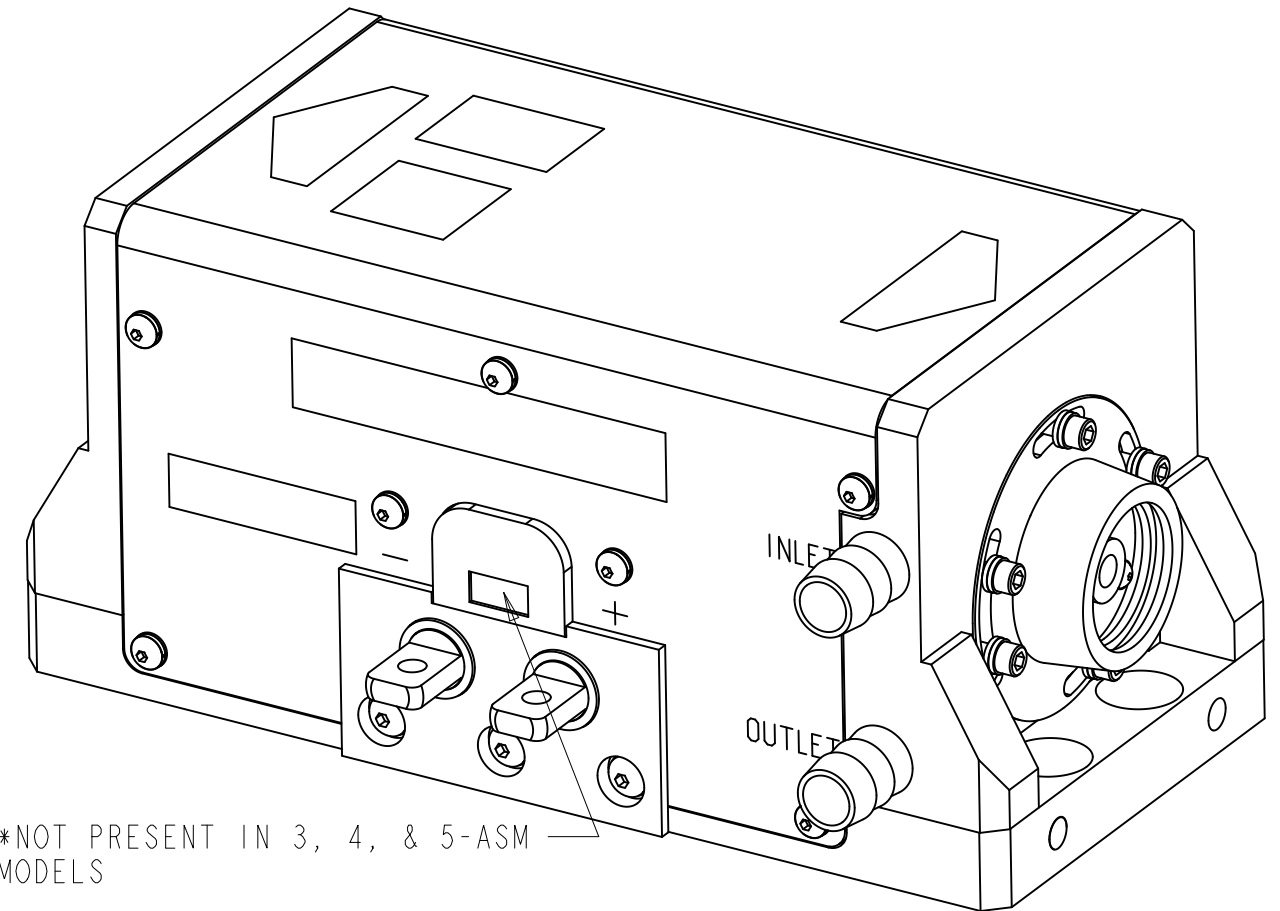
REA-Series and REA PowerPULSE™ Configuration Matrix



*NOT PRESENT IN 3, 4, & 5-ASM MODELS

MODEL	ROD SIZE	# OF ASM'S PER HEX	PUMP SCHEME	BEAM HT.	OVERALL HT.	FOOTPRINT (L x W)
REA8003	8.00MM DIA. X 96MM LG	3 *	5 @ 72°	1.75" (44.45MM)	3.41" (86.61MM)	4.54" X 3.36" (115.8MM X 85.3MM)
REA8004	8.00MM DIA. X 106MM LG	4 *	5 @ 72°	1.75" (44.45MM)	3.41" (86.61MM)	4.94" X 3.36" (125.8MM X 85.3MM)
REA8005	8.00MM DIA. X 116MM LG	5 *	5 @ 72°	1.75" (44.45MM)	3.41" (86.61MM)	5.34" X 3.36" (135.8MM X 85.3MM)
REA8006	8.00MM DIA. X 126MM LG	6	5 @ 72°	1.75" (44.45MM)	3.41" (86.61MM)	5.74" X 3.36" (145.8MM X 85.3MM)
REA8008	8.00MM DIA. X 146MM LG	8	5 @ 72°	1.75" (44.45MM)	3.41" (86.61MM)	6.57" X 3.36" (166.9MM X 85.3MM)
REA8010	8.00MM DIA. X 167MM LG	10	5 @ 72°	1.75" (44.45MM)	3.41" (86.61MM)	7.40" X 3.36" (188MM X 85.3MM)
REA8012	8.00MM DIA. X 188MM LG	12	5 @ 72°	1.75" (44.45MM)	3.41" (86.61MM)	8.23" X 3.36" (209MM X 85.3MM)
REA9003	9.00MM DIA. X 96MM LG	3 *	5 @ 72°	1.75" (44.45MM)	3.41" (86.61MM)	4.54" X 3.36" (115.8MM X 85.3MM)
REA9004	9.00MM DIA. X 106MM LG	4 *	5 @ 72°	1.75" (44.45MM)	3.41" (86.61MM)	4.94" X 3.36" (125.8MM X 85.3MM)
REA9005	9.00MM DIA. X 116MM LG	5 *	5 @ 72°	1.75" (44.45MM)	3.41" (86.61MM)	5.34" X 3.36" (135.8MM X 85.3MM)
REA9006	9.00MM DIA. X 126MM LG	6	5 @ 72°	1.75" (44.45MM)	3.41" (86.61MM)	5.74" X 3.36" (145.8MM X 85.3MM)
REA9008	9.00MM DIA. X 146MM LG	8	5 @ 72°	1.75" (44.45MM)	3.41" (86.61MM)	6.57" X 3.36" (166.9MM X 85.3MM)
REA9010	9.00MM DIA. X 167MM LG	10	5 @ 72°	1.75" (44.45MM)	3.41" (86.61MM)	7.40" X 3.36" (188MM X 85.3MM)
REA9012	9.00MM DIA. X 188MM LG	12	5 @ 72°	1.75" (44.45MM)	3.41" (86.61MM)	8.23" X 3.36" (209MM X 85.3MM)
REA10003	10.00MM DIA. X 96MM LG	3 *	5 @ 72°	1.75" (44.45MM)	3.41" (86.61MM)	4.54" X 3.36" (115.8MM X 85.3MM)
REA10004	10.00MM DIA. X 106MM LG	4 *	5 @ 72°	1.75" (44.45MM)	3.41" (86.61MM)	4.94" X 3.36" (125.8MM X 85.3MM)
REA10005	10.00MM DIA. X 116MM LG	5 *	5 @ 72°	1.75" (44.45MM)	3.41" (86.61MM)	5.34" X 3.36" (135.8MM X 85.3MM)
REA10006	10.00MM DIA. X 126MM LG	6	5 @ 72°	1.75" (44.45MM)	3.41" (86.61MM)	5.74" X 3.36" (145.8MM X 85.3MM)
REA10008	10.00MM DIA. X 146MM LG	8	5 @ 72°	1.75" (44.45MM)	3.41" (86.61MM)	6.57" X 3.36" (166.9MM X 85.3MM)
REA10010	10.00MM DIA. X 167MM LG	10	5 @ 72°	1.75" (44.45MM)	3.41" (86.61MM)	7.40" X 3.36" (188MM X 85.3MM)
REA10012	10.00MM DIA. X 188MM LG	12	5 @ 72°	1.75" (44.45MM)	3.41" (86.61MM)	8.23" X 3.36" (209MM X 85.3MM)

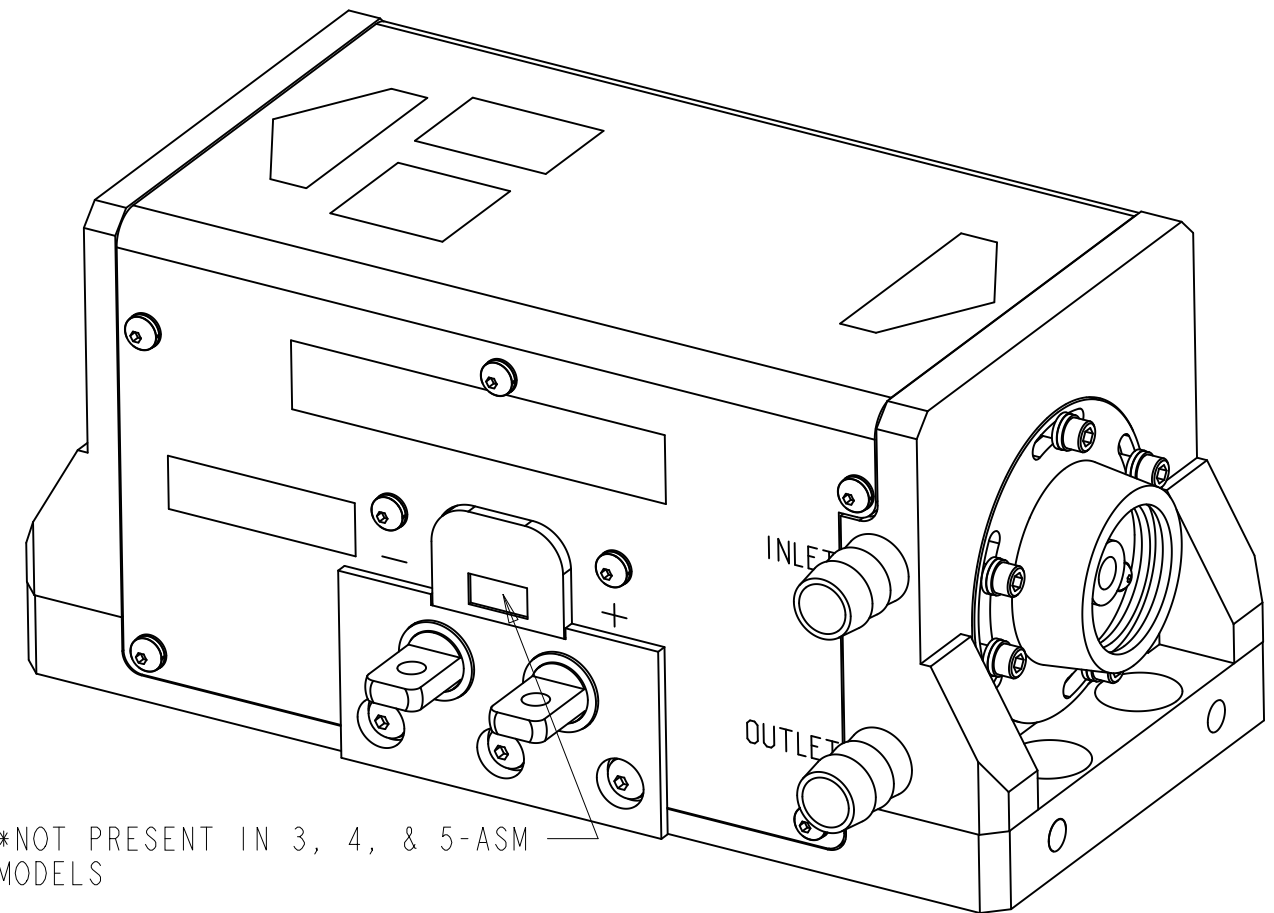
REA-Series and REA PowerPULSE™ Configuration Matrix



*NOT PRESENT IN 3, 4, & 5-ASM MODELS

MODEL	ROD SIZE	# OF ASM'S PER HEX	PUMP SCHEME	BEAM HT.	OVERALL HT.	FOOTPRINT (L x W)
REA12006	12.00MM DIA. X 126MM LG	6	5 @ 72°	1.75" (44.45MM)	3.41" (86.61MM)	5.74" X 3.36" (145.8MM X 85.3MM)
REA12008	12.00MM DIA. X 146MM LG	8	5 @ 72°	1.75" (44.45MM)	3.41" (86.61MM)	6.57" X 3.36" (166.9MM X 85.3MM)
REA12010	12.00MM DIA. X 167MM LG	10	5 @ 72°	1.75" (44.45MM)	3.41" (86.61MM)	7.40" X 3.36" (188MM X 85.3MM)
REA12012	12.00MM DIA. X 188MM LG	12	5 @ 72°	1.75" (44.45MM)	3.41" (86.61MM)	8.23" X 3.36" (209MM X 85.3MM)
REA15006	15.00MM DIA. X 126MM LG	6	7 @ 51.4°	2.00" (50.8MM)	3.92" (99.57MM)	5.74" X 4.00" (145.8MM X 101.6MM)
REA15008	15.00MM DIA. X 146MM LG	8	7 @ 51.4°	2.00" (50.8MM)	3.92" (99.57MM)	6.57" X 4.00" (166.9MM X 101.6MM)
REA15010	15.00MM DIA. X 167MM LG	10	7 @ 51.4°	2.00" (50.8MM)	3.92" (99.57MM)	7.40" X 4.00" (188MM X 101.6MM)
REA15012	15.00MM DIA. X 188MM LG	12	7 @ 51.4°	2.00" (50.8MM)	3.92" (99.57MM)	8.23" X 4.00" (209MM X 101.6MM)
REA18006	18.00MM DIA. X 126MM LG	6	7 @ 51.4°	2.00" (50.8MM)	3.92" (99.57MM)	5.74" X 4.00" (145.8MM X 101.6MM)
REA18008	18.00MM DIA. X 146MM LG	8	7 @ 51.4°	2.00" (50.8MM)	3.92" (99.57MM)	6.57" X 4.00" (166.9MM X 101.6MM)
REA18010	18.00MM DIA. X 167MM LG	10	7 @ 51.4°	2.00" (50.8MM)	3.92" (99.57MM)	7.40" X 4.00" (188MM X 101.6MM)
REA18012	18.00MM DIA. X 188MM LG	12	7 @ 51.4°	2.00" (50.8MM)	3.92" (99.57MM)	8.23" X 4.00" (209MM X 101.6MM)
REA25006	25.00MM DIA. X 126MM LG	6	9 @ 40°	2.50" (63.5MM)	4.72" (119.89MM)	8.23" X 4.25" (209MM X 107.95MM)
REA25008	25.00MM DIA. X 146MM LG	8	9 @ 40°	2.50" (63.5MM)	4.72" (119.89MM)	8.23" X 4.25" (209MM X 107.95MM)
REA25010	25.00MM DIA. X 167MM LG	10	9 @ 40°	2.50" (63.5MM)	4.72" (119.89MM)	8.23" X 4.25" (209MM X 107.95MM)
REA25012	25.00MM DIA. X 188MM LG	12	9 @ 40°	2.50" (63.5MM)	4.72" (119.89MM)	8.23" X 4.25" (209MM X 107.95MM)

REA-Series and REA PowerPULSE™ Configuration Matrix



*NOT PRESENT IN 3, 4, & 5-ASM MODELS